



**New Design**

- Ultra light in weight
- Small in size
- IP65 for outdoor
- Natural cooling

**New Features**

- Patented topology
- Improved MPPT algorithm
- Touch-tone LCD control

**New Monitoring System**

- Specialized WiFi&GPRS module, easy to install
- New monitoring platform, new experience

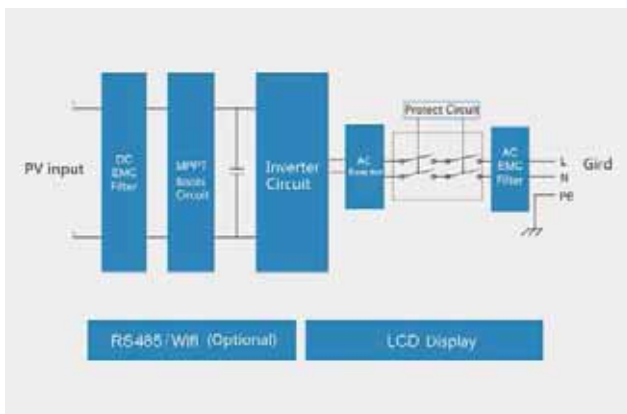
**New Performance**

- Lower start PV voltage
- Wider MPPT voltage range
- Wider grid voltage range
- More stable operation
- Higher efficiency

# SF3.6/4.2/4.6/5/5.5/6KTN



**DIAGRAM**



**EFFICIENCY**

