



Features

- Transformerless with the three level Topology
- Max efficiency up to 98.0%
- Dual MPPT inputs accommodating wide voltage range
- Compact structure design
- Simple local setting

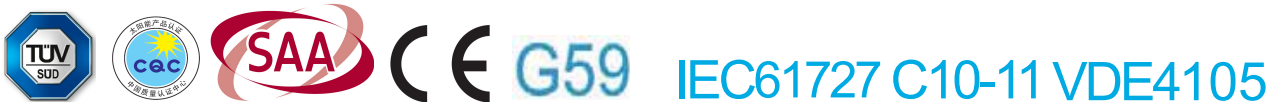
Flexibility

- Indoors and outdoors usage (IP65)
- Easy installation and free maintenance
- RS485/WiFi(optional) communication
- Multi-lingual display with large LCD screen

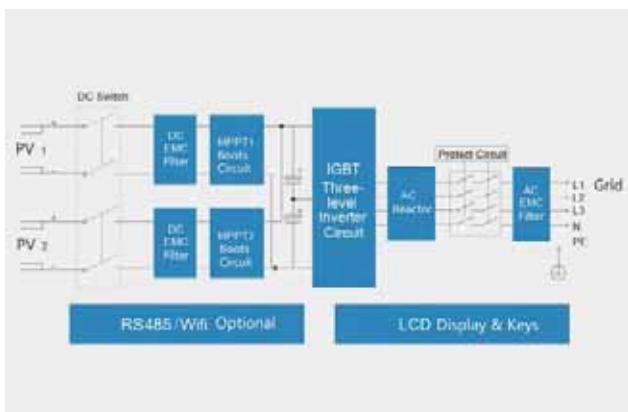
Reliability

- Reliable protection for over/under voltage, anti-islanding, short circuit, overload, etc.
- 5-year quality warranty extends to 15 years (optional)
- Comply with VDE0126-1-1, EN62109 - 1, EN62109-2, G59/2, AS/NZS 3100, AS4777.2, AS4777.3, VDE-AR-N-4105, CQC etc.

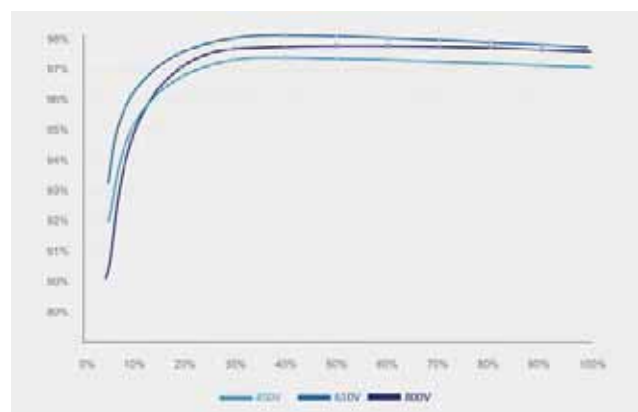
ST 10000/12000/15000/17000/20000 TL



DIAGRAM



EFFICIENCY



Technical Data

Inverter Model	ST10000TL	ST12000TL	ST15000TL	ST17000TL	ST20000TL
Input (DC)					
Max DC power	10200 W	12250 W	15340 W	17410 W	20500 W
Max DC voltage	1000 V	1000 V	1000 V	1000 V	1000 V
Full load MPPT voltage range / Rated voltage	300-800V/610V	380-800V/610V	380-800V/610V	430-800V/610V	500-800V/610V
Max input current per MPPT	20A/20A	20A/20A	20A/20A	20A/20A	20A/20A
Start up voltage / On-grid voltage	160/250V	160/250V	160/250V	160/250V	160/250V
Number of MPP trackers /Strings per tracker	2/2	2/2	2/2	2/2	2/2
Output (AC)					
AC nominal power (@230V,50HZ)	10 KW	12 KW	15 KW	17 KW	20 KW
Max nominal apparent power	10000VA	12000VA	15000VA	17000VA	20000VA
Longtime Overload	10%	10%	10%	10%	10%
Nominal AC voltage	3/N/PE 220V/380V	3/N/PE 220V/380V	3/N/PE 220V/380V	3/N/PE 220V/380V	3/N/PE 220V/380V
	3/N/PE 230V/400V	3/N/PE 230V/400V	3/N/PE 230V/400V	3/N/PE 230V/400V	3/N/PE 230V/400V
	3/N/PE 240V/415V	3/N/PE 240V/415V	3/N/PE 240V/415V	3/N/PE 240V/415V	3/N/PE 240V/415V
AC voltage range	176V-276V	176V-276V	176V-276V	176V-276V	176V-276V
AC grid frequency	50Hz/60Hz	50Hz/60Hz	50Hz/60Hz	50Hz/60Hz	50Hz/60Hz
Max output current	16A	19A	24A	25A	30A
Power factor(adjustable)	0.8leading-0.8lagging				
Harmonics(THD)	<3%	<3%	<3%	<3%	<3%
Efficiency					
Max efficiency	98.0%	98.0%	98.0%	98.0%	98.0%
Euro efficiency	97.2%	97.3%	97.5%	97.5%	97.5%
MPPT efficiency	99.9%	99.9%	99.9%	99.9%	99.9%
General data					
Net dimensions (W/H/D)	540 / 660/ 192mm	540 / 660/ 192mm	540 / 660/ 192mm	540 / 660/ 192mm	540 / 660/ 192mm
Gross dimensions (W/H/D)	830 / 655/ 290mm	830 / 655/ 290mm	830 / 655/ 290mm	830 / 655/ 290mm	830 / 655/ 290mm
Net weight / Gross weight	40 / 44.5 kg	40/ 44.5kg	40/ 44.5kg	40/ 44.5kg	41/ 48.8kg
Operating temperature range	-25°C ~ +60°C	-25°C ~ +60°C	-25°C ~ +60°C	-25°C ~ +60°C	-25°C ~ +60°C
Degree of protection (according to IEC 60529)	IP65	IP65	IP65	IP65	IP65
Climatic category (according to IEC 60721-3-4)	4K4H	4K4H	4K4H	4K4H	4K4H
Internal consumption: (night)	<1W	<1W	<1W	<1W	<1W
Topology structure	Transformerless	Transformerless	Transformerless	Transformerless	Transformerless
Cooling method	Fans	Fans	Fans	Fans	Fans
Noise (typical)	<50 dB	<50 dB	<50 dB	<50 dB	<50 dB
Altitude	<3000m				
Screen display	LCD	LCD	LCD	LCD	LCD
Humidity	0-100%,non-condensing				
Communication(RS485/WiFi)	Yes/Opt.				
Warranty(5 / 10 / 15 years)	Yes/Opt./Opt.	Yes/Opt./Opt.	Yes/Opt./Opt.	Yes/Opt./Opt.	Yes/Opt./Opt.