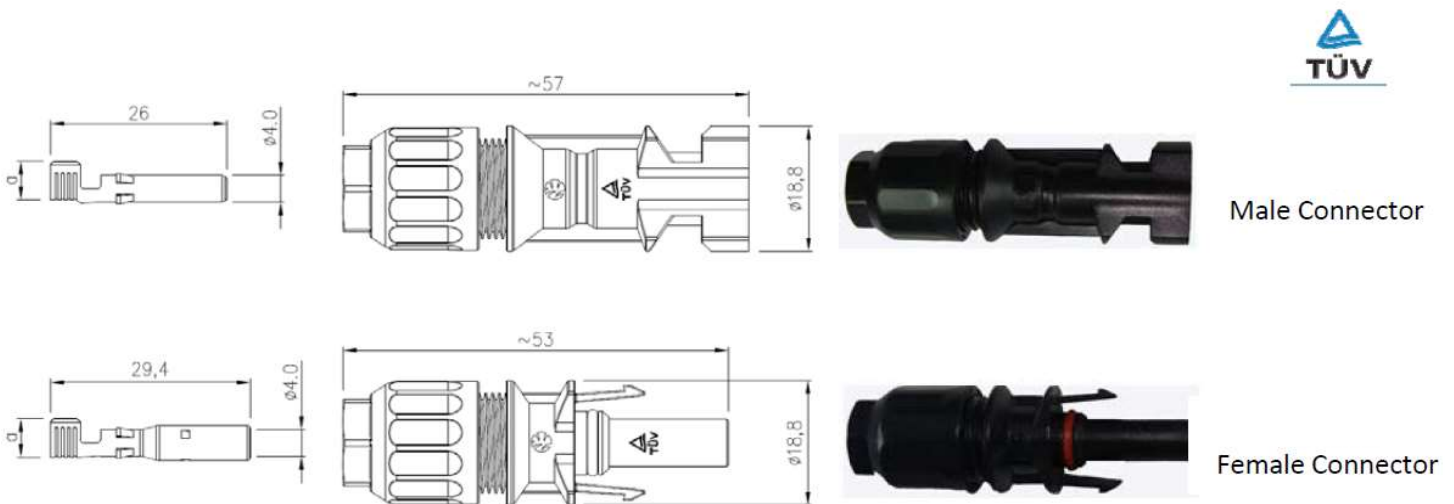


PV 4.0 Cable Connector

Product Specifications

Insulation Material	PPE	Safety Degree	II
Rated Current	30A	Flame Class	UL94-V0
Rated Voltage	1000V (IEC) / 600V (UL)	Insertion Force / Withdrawal Force	≤50N / ≥50N
Test Voltage	6kV (50Hz, 1min)	Ambient Temperature Range	-40°C ~ +90°C (IEC)
Typical Contact Resistance	<0.5mΩ	Suitable Cable Cross Sections	2.5~6mm ² / 14~10AWG
Contact Material	Copper, Tin plated	Connecting System	Crimp Connection
Degree of Protection	IP2X / IP67	Nut Cap Locking Force	2.0~2.5Nm
Overvoltage Category / Pollution Degree	CATIII/2	Upper Limiting Temperature	110°C (IEC)

Drawing:



4.0 Cable Female Connector

Part No.	a	Cable Size
4C2500-001	4.2	2.5mm ² / 14AWG
4C4000-001	5.8	4.0/6.0mm ² & 10/12AWG

4.0 Cable Male Connector

Part No.	a	Cable Size
4C2501-001	4.2	2.5mm ² / 14AWG
4C4001-001	5.8	4.0/6.0mm ² & 10/12AWG