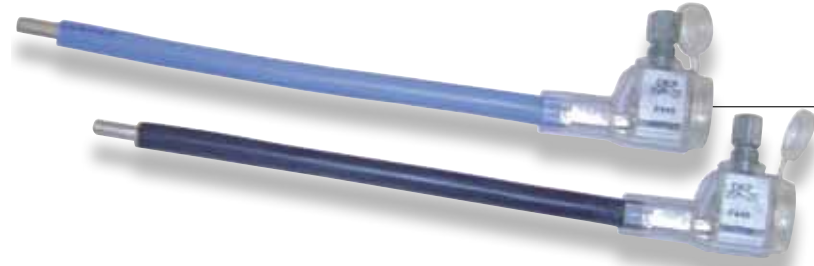


# Insulation piercing end connector



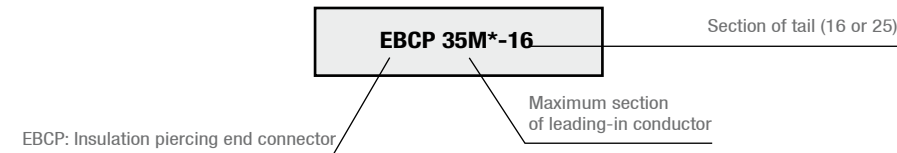
MICHAUD

## application

This end connector is used for the connection of leading-in cables to electrical equipment terminals (cutouts, electronic meter, ...). It can be fitted on copper or aluminium stranded or solid core conductors.

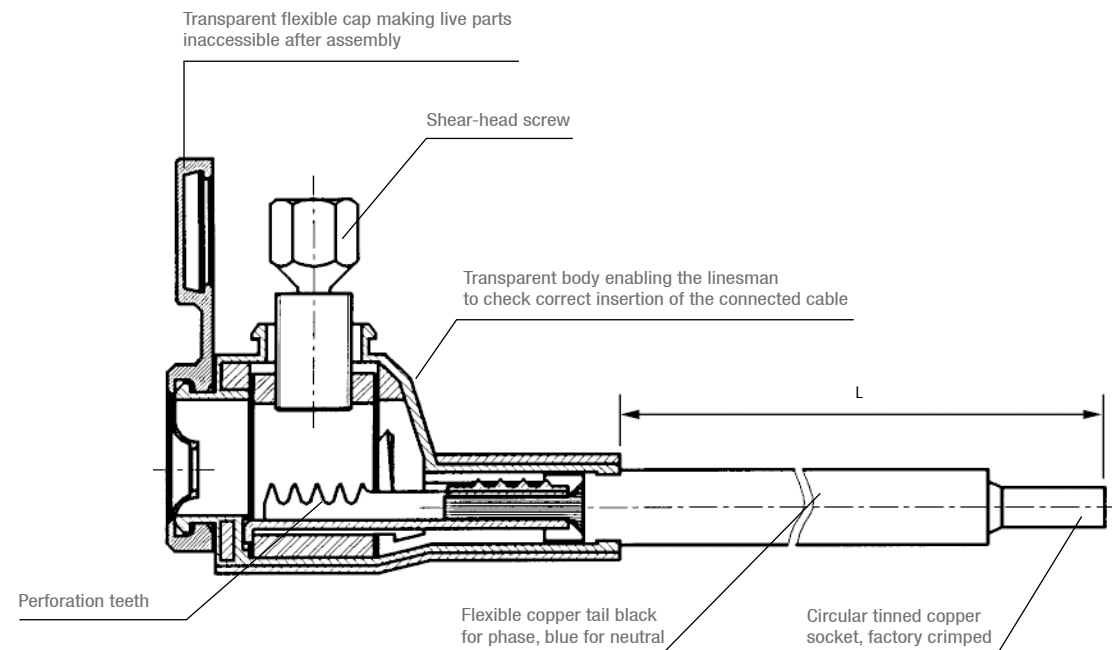
## description

- Low dimensions enable to easily fit the end connector behind the panel.
- The robust material of which the cover is made enables it to be held with a pair of pliers, without taking any particular precautions while perforating.
- Standard notation of end connector:



- This end connector meets the requirements of the HN 33-S-82 standard.

\* M: solid core conductor.



## implementation

- Insert the extremity of the conductor fully in the connector.
- Check correct insertion through the transparent body.
- Hold the connector body in hand or in pair of pliers, and tighten the perforation screw with a 10mm spanner until the shear head breaks.
- Snap on the flexible cap in order to make the tightening screw voltage free.
- Note: - The 16mm<sup>2</sup> flexible copper tail is designed for a load of 60A maximum.  
- The 25mm<sup>2</sup> flexible copper tail is designed for a load of 100A maximum.

## packaging

Code	Designation	ERDF Nomenclature	Out of box length: L	ERDF capacity	Real capacity	Weight (kg)	Unit sale
P 446	BLACK EBCP 35M-16	67 26 081	235mm	10 - 35mm <sup>2</sup> 16M-35M	10 - 35mm <sup>2</sup> 16M-50M	0.089	10
P 447	BLUE EBCP 35M-16	67 26 082	235mm			0.089	10
P 648	SET OF 2 EBCP 35M-16 (1 BLACK +1 BLUE)	67 26 088	235mm			0.189	1
P 448	BLACK EBCP 35M-25	67 26 071	185mm	10 - 35mm <sup>2</sup> 16M-35M	10 - 35mm <sup>2</sup> 16M-50M	0.100	10
P 449	BLUE EBCP 35M-25	67 26 072	185mm			0.098	10
P 649	SET OF 2 EBCP 35M-25 (1 BLACK + 1 BLUE)	67 26 087	185mm			0.213	1
P 650	SET OF 4 EBCP 35M-25 (3 BLACK + 1 BLUE)	67 26 090	185mm			0.423	1

## variations

Code	Designation	ERDF Nomenclature	Out of box length: L	Real capacity	Weight (kg)	Unit sale
P 224	BLACK EBCP 35M-16 L400	67 26 083	375mm	10 - 25mm <sup>2</sup> 16M-50M	0.126	10
P 225	BLUE EBCP 35M-16 L400	67 26 084	375mm		0.126	10
P 222	BLACK EBCP 35M-16 L500	-	500mm		0.137	1
P 223	BLUE EBCP 35M-16 L500	-	500mm	0.137	1	
P 651	SET OF 4 EBCP 35M-16 (3 BLACK + 1 BLUE)	67 26 089	235mm		0.374	1

## accessory



This bloc in synthetic material enables to insulate and fix both waiting phases in the case of 4 conductors supply for a single phase connection. It is equipped with 2 plastic screws for the conductors tightening and with a self-threaded cross blade screw for the bloc fixation in the panels.

Code	Designation	ERDF Nomenclature	Weight (kg)	Unit sale
P 693	BLOC FOR WAITING PHASES FIXATION	67 26 170	0.017	20